

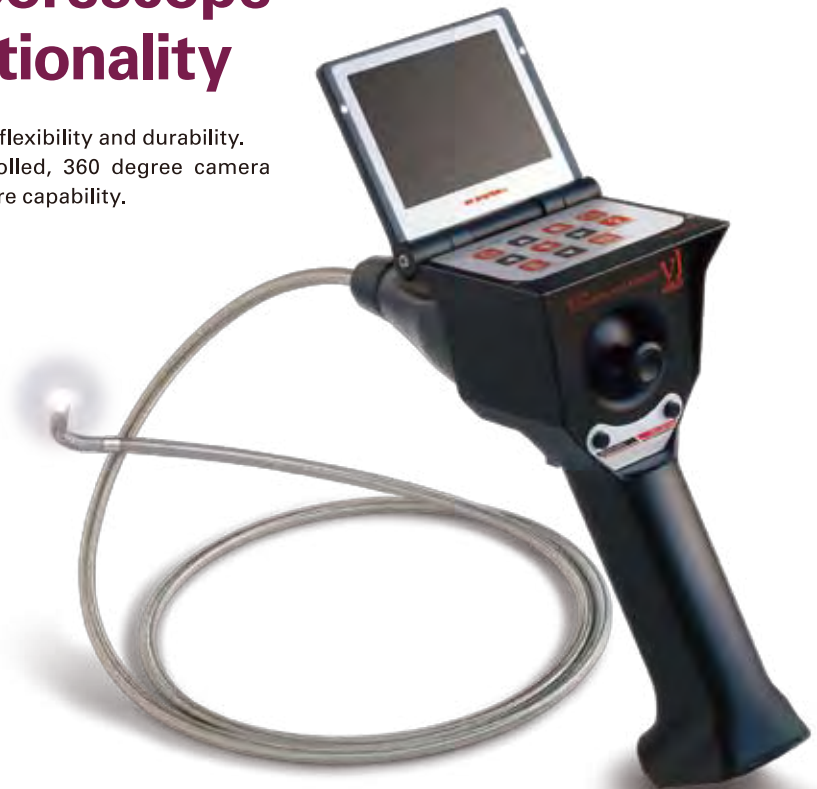
High-End Video Borescope with Added Functionality

New steel-braided insertion tube delivers greater flexibility and durability. This all-in-one system combines joystick-controlled, 360 degree camera articulation with on-board image and video capture capability.

NEW

φ6.9MM
ARTICULATING VIDEO BORESCOPE

**VJ
ADV**



Functionality

Joystick-Controlled, 360 Degree Articulation

The mechanized joystick uses operator input to directly control camera articulation. The result is smooth and accurate control of the articulating tip, with immediate response to joystick inputs. This allows the camera tip to be steered through narrow bores, channels and complex curves. Additionally, the camera will hold its position even when joystick pressure is released. No other video borescope is easier to use.



Highly Durable and Flexible Insertion Tube

The VJ-ADV comes with a 6.9 mm diameter steel-braided insertion tube and ultra-short, 15 mm rigid tip section. The highly flexible and durable insertion tube can be easily navigated through narrow, curved paths. The steel-braided covering protects the insertion tube from rough or abrasive surfaces without compromising flexibility.

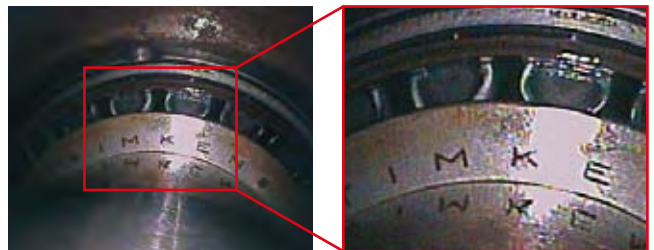


Features

2X Digital Zoom

A single control panel button switches the onboard display to a 2X digital zoom*. This allows detailed observation in situations where the insertion tube can not get any closer to the inspection target.

*Zoom not compatible with external monitor display via USB or RCA output.



Temperature Sensor

A temperature sensor located on the tip of the insertion tube measures and displays the internal temperature of the camera module, and delivers a two-stage visual warning to the user when the temperature approaches a dangerously high level*. This warning systems helps prevent damage to the scope from overheating of the camera and electronics.

*The sensor is not designed to measure the ambient temperature of the area being inspected.



Voice Recording

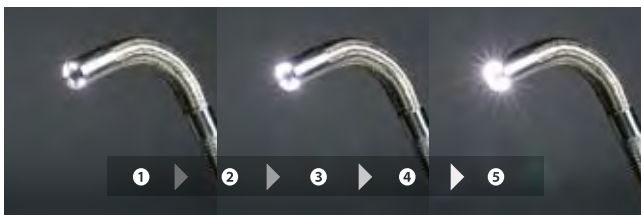
By connecting the included hands-free-microphone, audio annotation of the inspection can be recorded along with video. This allows the user to further explain the reason for the inspection, findings, and recommended remedial action, if necessary. When still photos alone are not adequate, a video recording with voice overlay provides all the documentation a user could need.



φ6.9mm Articulating Video Borescope VJ-ADV

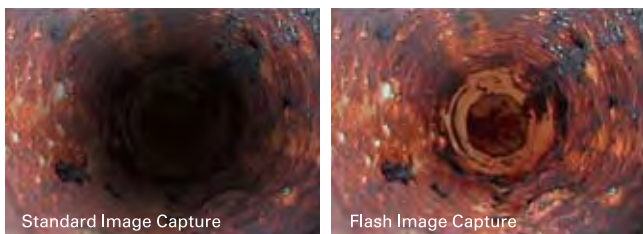
Super High-Intensity LED Illumination

Illumination is provided by four super high-intensity white LEDs located at the tip of the bending section. These LEDs can be adjusted in 5 different levels from OFF to HIGH, to deliver just the right amount of light.



LED Flash Function

The LED Flash function delivers a 0.1 second burst of super high intensity light through the 4 LEDs, allowing you to take a photo of an especially dark area, such as a large diameter pipe. Similar to the flash on a handheld digital camera, it illuminates the inspection target just long enough to capture a clear image.



True Portability in a Compact Package

True portability is made possible through the ergonomic design of the VJ handle and base unit. All key functions, including image capture, video recording, LED brightness control, and camera articulation, can be controlled with one hand. The integrated 3.5 inch monitor allows easy viewing of the inspection target; no external monitor is required. Nothing this portable and compact delivers so many features or is easier to use.



Battery Powered Operation

VJ-ADV is powered by four AA batteries which provide approximately 1.5 hours of run-time. Because off-the-shelf disposable batteries can be used, there is no risk of down time waiting for a recharging cycle. An AC adaptor is also included allowing unlimited run-time while plugged into a standard wall outlet.



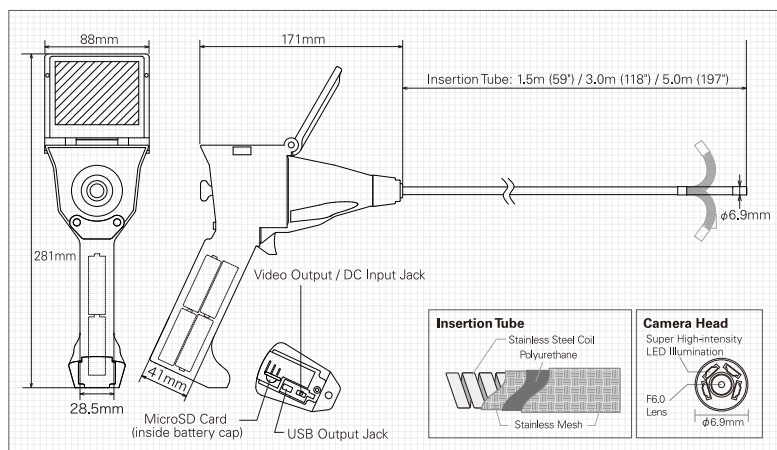
Features / Specifications

Insertion Tube	Outer Diameter	φ 6.9mm
	Length (meter/inch)	1.5m (59") / 3.0m (118") / *5.0m (197")
	Exterior	Stainless Steel Braid
	Waterproof	Insertion Tube and Tip
Optics	Chemical Compatibility	Machine Oil, Heating Oil, Engine Oil, 3.5% Concentrated Saltwater, Diesel Fuel
	Field of View (HV)	72° / 54°
	FNo.	F6.0
	Depth of Field	15mm ~ ∞
Articulation	Illumination Method	4 Super High-Intensity White LEDs
	Articulation Angle	360°(over 90°in every direction)
	Articulation Control	Joystick with "Direct Control" Mechanism
	Rigid Distal End Length	15mm
LCD Monitor		3.5inch Color Digital TFT
Observation Function		2x Digital Zoom
		External Temperature Display (Celsius/Fahrenheit)
		Temperature Alarm Display
LED Output Adjustment		5 Levels
Still Capture / Record Function		LED Flash Capturing (Still image)
		Time-lapse Recording (Video)
Input/Output Terminal	Video Output	φ2.5m Stereo Mini Jack for RCA Video Output (NTSC/PAL)
	USB Output	Mini B Terminal Ver. 2.0 Video Capture Output (Includes Driver / Viewer Software)
	Audio Output	Monaural Flat Jack for Hands-free Earphone
	Microphone Input	Monaural Flat Jack for Hands-free Microphone
Storage	Storage Media	MicroSD Card (Max. 2GB)
	Still Image	JPEG 640×480 pixels
	Video	Motion JPEG (AVI file extension) 640×480 pixels 15~30fps Voice recording function via the attached microphone
	Storage Capacity (with 1GB MicroSD Card)	Still Image:Max. 500 pictures Movie Recording:Approx. 60 minutes(Normal Model) / Approx. 9 hours (Time-lapse Model)
Playback Function		Still Image:Thumbnail 9-image Display / Full Screen Display Video:Play, Pause
Menu Operation		Image Adjustment (Brightness, Contrast, Hue, Sharpness)
		Delete Stored Image
		Time and Date Setting
		Language : Japanese / English
		USB Mass Storage
Operating Temperature (Insertion Tube)		In Air: -30°C~60°C (-22°F~140°F) In Liquid:10°C~30°C(50°F~86°F)
Power Supply	DC	DC 6V (four AA alkaline batteries)
	AC	AC Adaptor (IN 100V~240V OUT6V/0.85A)
Operating Time		Max. 1.5 hours (with four AA alkaline batteries)
Weight		570g / 20 oz (without batteries at 1.5m length)
Carrying Case		495 x 420 x 145 mm (19 x 17 x 5 inch)

Specifications and design may be changed without prenotice.

*5.0m insertion tube length is available custom order.

Structural Drawing



Packaged Items

